

Project: [Allies & Morrison, 85 Southwark Street](#)

Product: [Glowline GL25](#) - custom

Services:
[Bespoke lighting manufacture](#)
[Specialist lighting installation](#)

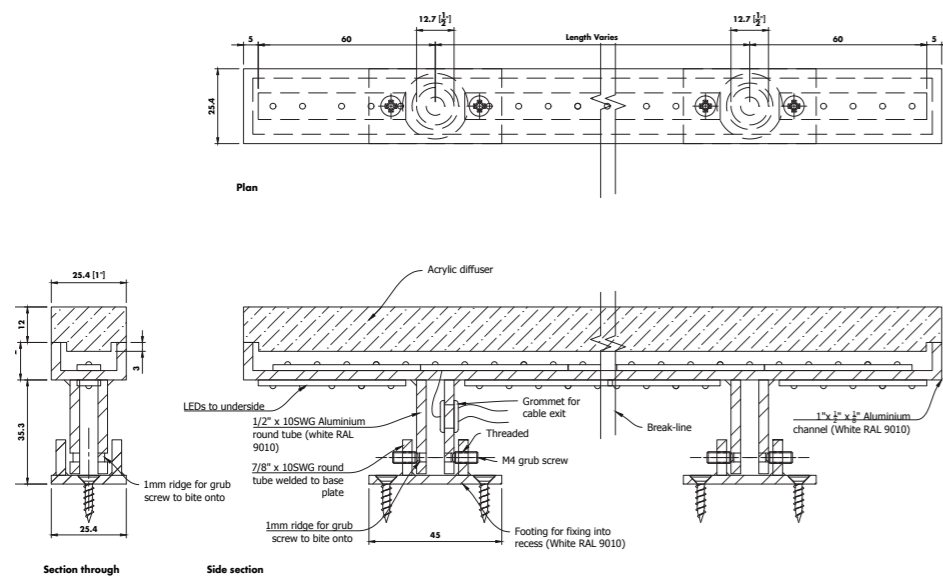
Client: Allies & Morrison

Date completed: March 2018

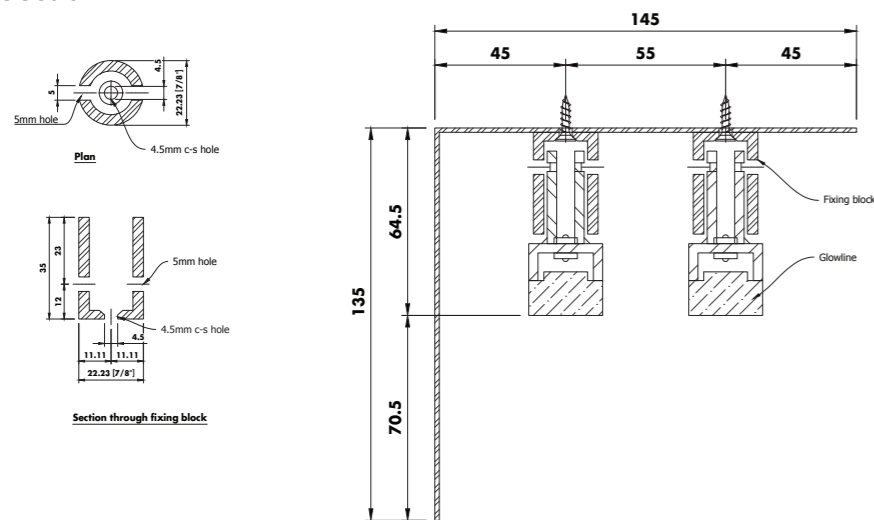
Project Description

- The Light Lab recently completed work on a bespoke lighting solution for prestigious architectural firm Allies & Morrison in their London offices.
- Our brief was to update the original cold cathode installation to find a cost effect, low maintenance LED solution whilst retaining all the existing luminaire positions using only hidden fixings.
- The Light Lab manufactured and installed a custom version of our [Glowline](#) product, designed alongside the architects, creating clean, minimal lines of light within recesses of the exposed concrete stairwell.
- As the primary light source within the space it was important to achieve a pleasant and warm environment whilst also providing sufficient levels of illumination for comfort and safety of use.

Install Drawings



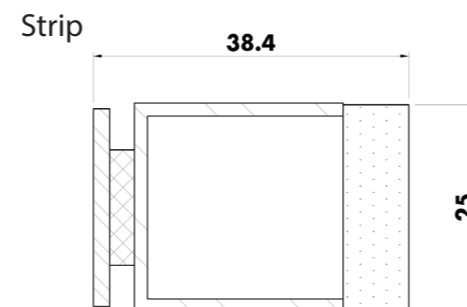
Section



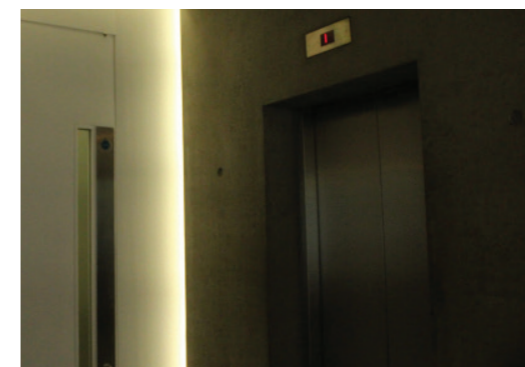
Product image



Fixing method



Project images



The Light Lab
22 Holywell Row
London EC2A 4JB
United Kingdom

+44 (0) 207 278 2678
[@thelightlabtd](#)
[www.thelightlab.com](#)

Company Reg. No: 4406351
Reg. Office: 22 Holywell Row, London EC2A 4JB

the light lab
bright ideas