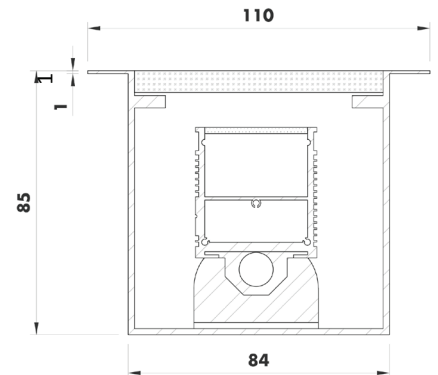
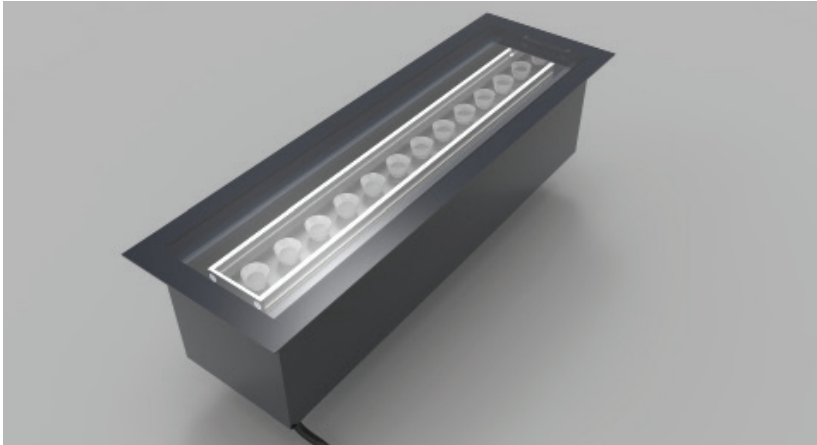


Product Details: LinLED-SHO-OPTIC-BAFFLE-FLOOR



X-Sections



Specification

	350ma	500ma
Length	200mm + 97mm increments	200mm + 97mm increments
Colour	2.25K/2.7K/3.0K/3.5K/4.0K/4.5K/5.3K/6.0K	2.25K/2.7K/3.0K/3.5K/4.0K/4.5K/5.3K/6.0K
Input Current	350ma	500ma
Power Consumption	44 W/m	63 W/m
Luminaire Efficiency	108 lm/W	105 lm/W
IP Rating	IP65	IP65
Optic	15°/20°/45°/ 34°x13°	15°/20°/45°/ 34°x13°
Clip	Rear or End Bracket	Rear or End Bracket

Order code

LinLED SHO OPTIC BAFFLE FLOOR-LENGTH-CURRENT-COLOUR-IP-OPTIC-CLIP
 e.g. LED SHO OPTIC BAFFLE FLOOR-XXmm-300ma-2.25K-IP20-16-REAR

LENGTH	CURRENT	COLOUR	IP	OPTIC	CLIP
XXmm	300ma	2.25K	IP20	16	REAR
	500ma	2.7K		23	END
		3.0K		46	
		3.5K		48x19	
		4.0K			
		4.5K			
		5.3K			
		6.0K			

Drivers

non-dimmable power supplies:

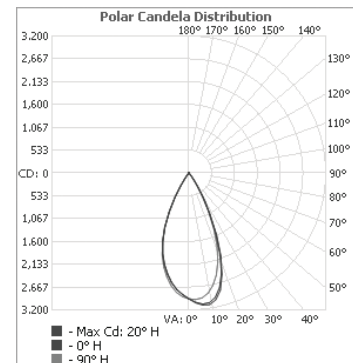
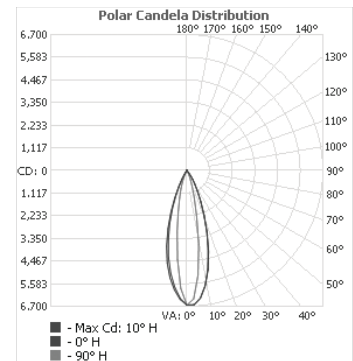
1-10V /DALI/DMX dimmable power supplies to be ordered seperately

Please call our sales team who will make sure specification suits application

Linear LED Lighting by The Light Lab



Photometric Info



The Light Lab
 22 Holywell Row
 London EC2A 4JB
 United Kingdom
 +44 (0) 207 278 2678
 @thelightlabtd
 www.thelightlab.com