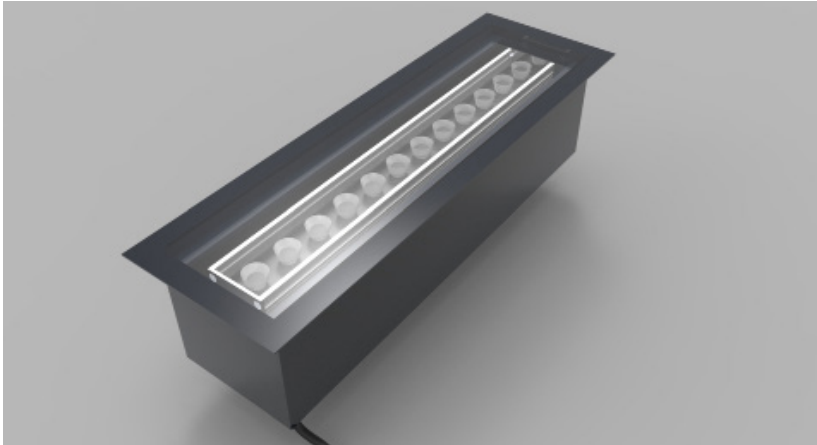


# Product Details: LinLED-SHO-OPTIC-BAFFLE-FLOOR



## Specification

	350ma	500ma
Length	200mm + 97mm increments	200mm + 97mm increments
Colour	2.25K/2.7K/3.0K/3.5K/4.0K/4.5K/5.3K/6.0K	2.25K/2.7K/3.0K/3.5K/4.0K/4.5K/5.3K/6.0K
Input Current	350ma	500ma
Power Consumption	44 W/m	63 W/m
Luminaire Efficiency	108 lm/W	105 lm/W
IP Rating	IP20	IP20
Optic	15°/20°/45°/ 34°x13°	15°/20°/45°/ 34°x13°
Clip	Rear or End Bracket	Rear or End Bracket

### Order code

LinLED SHO OPTIC BAFFLE FLOOR-LENGTH-CURRENT-COLOUR-IP-OPTIC-CLIP  
e.g. LED SHO OPTIC BAFFLE FLOOR-XXmm-300ma-2.25K-IP20-16-REAR

LENGTH - XXmm	CURRENT - 300ma 500ma	COLOUR - 2.25K 2.7K 3.0K 3.5K 4.0K 4.5K 5.3K 6.0K	IP - IP20	OPTIC - 16 23 46 48x19	CLIP - REAR END
------------------	-----------------------------	---	--------------	------------------------------------	-----------------------

### Drivers

non-dimmable power supplies:

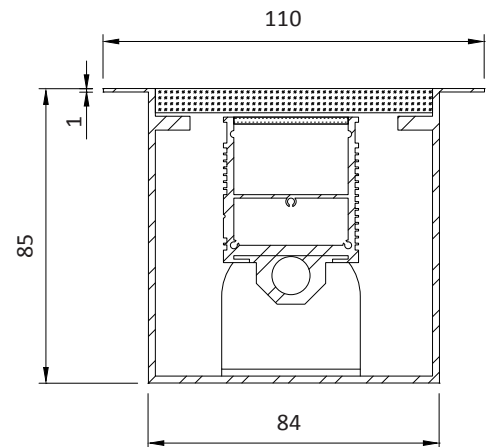
1-10V /DALI/DMX dimmable power supplies to be ordered seperately

Please call our sales team who will make sure specification suits application

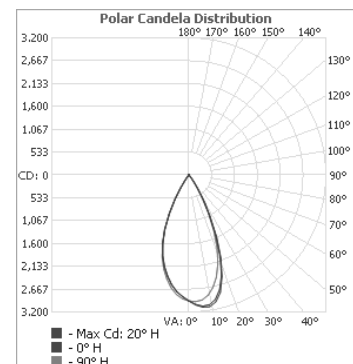
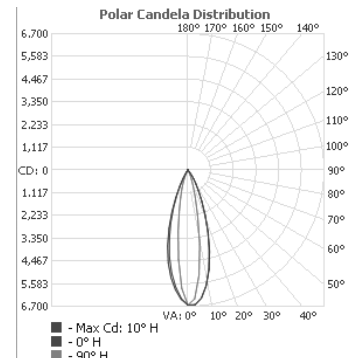
Linear LED Lighting by The Light Lab



## X-Sections



## Photometric Info



The Light Lab  
 22 Holywell Row  
 London EC2A 4JB  
 United Kingdom  
 +44 (0) 207 278 2678  
 @thelightlabtd  
 www.thelightlab.com