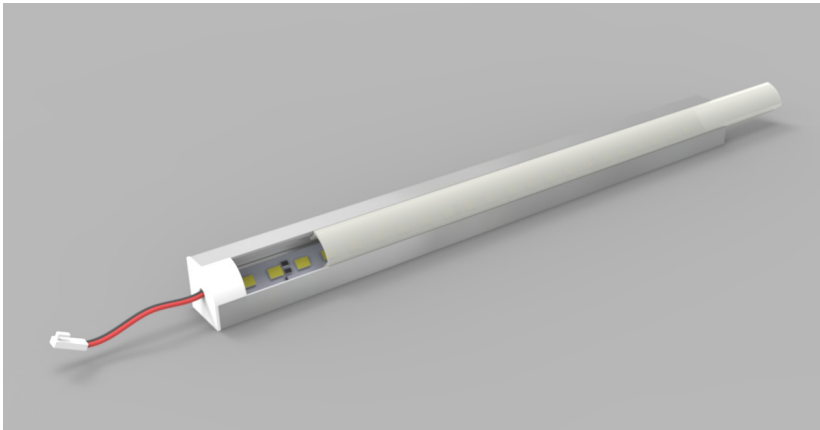


Product Details: LinLED-PROFILE-SHELF



Specification

	SO	HO
Length	min 55mm up to 1955mm in 50mm increments	min 55mm up to 1955mm in 50mm increments
Colour	3.0K/4.0K/5.0K	2.7K/3.0K/3.5K/4.0K/5.0K
Input Voltage	24Vdc	24Vdc
Power	9.6 W/m	14 W/m
Consumption		
Luminaire Efficiency	80 lm/W	110 lm/W
IP Rating	IP44	IP44
Diffuser	Clear/Frost/Opal	Clear/Frost/Opal
Clip	Clip or VHB Dual Lock	Clip or VHB Dual Lock

Order code

LinLED PROFILE SHELF-LENGTH-OUTPUT-COLOUR-IP-DIFFUSER-CLIP
e.g. LED PROFILE-XXmm-SO-3.0K-IP44-CLEAR-CLIP

LENGTH - OUTPUT - COLOUR - IP - DIFFUSER - CLIP
XXmm SO 2.7K IP44 CLEAR CLIP
HO 3.0K FROST VHB
3.5K OPAL
4.0K
5.0K

Drivers

non-dimmable power supplies:

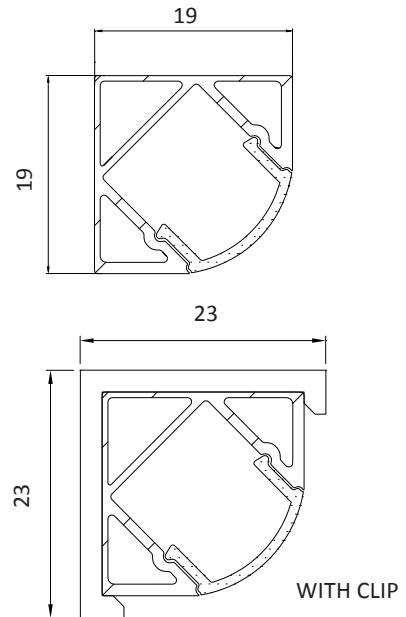
1-10V /DALI/DMX dimmable power supplies to be ordered separately

Please call our sales team who will make sure specification suits application

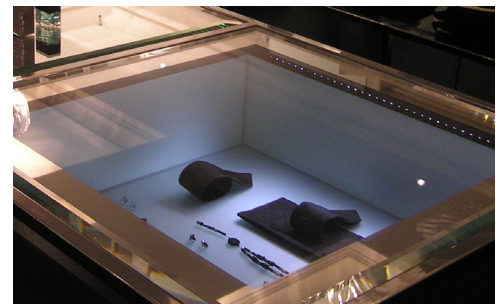
Linear LED Lighting by The Light Lab



X-Sections



Project Example



The Light Lab
22 Holywell Row
London EC2A 4JB
United Kingdom
+44 (0) 207 278 2678
@thelightlabtd
www.thelightlab.com