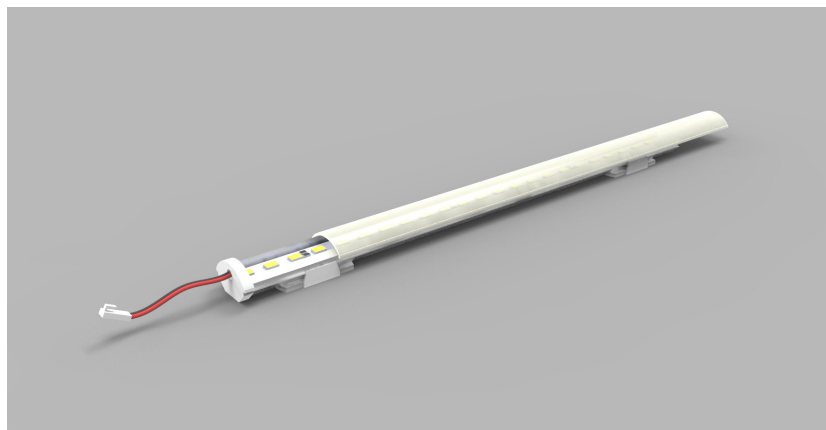


# Product Details: LinLED-PROFILE



## Specification

|                      | SO  | HO  |
|----------------------|---|---|
| Length               | min 55mm up to 1955mm<br>in 50mm increments | min 55mm up to 1955mm<br>in 50mm increments |
| Colour               | 3.0K/4.0K/5.0K                              | 2.7K/3.0K/3.5K/4.0K/5.0K                    |
| Input Voltage        | 24Vdc                                       | 24Vdc                                       |
| Power Consumption    | 9.6 W/m                                     | 14 W/m                                      |
| Luminaire Efficiency | 80 lm/W                                     | 110 lm/W                                    |
| IP Rating            | IP44  | IP44  |
| Diffuser             | Clear/Frost/Opal                            | Clear/Frost/Opal                            |
| Clip                 | Fixed 0°/30°/45°                            | Fixed 0°/30°/45°                            |

### Order code

LinLED PROFILE-LENGTH-OUTPUT-COLOUR-IP-DIFFUSER-CLIP  
e.g. LED PROFILE-XX-SO-3.0K-IP44-CLEAR-0

| LENGTH - OUTPUT - COLOUR - IP - DIFFUSER - CLIP |
|---|
| XXmm SO 2.7K IP44 CLEAR 0                       |
| HO 3.0K FROST 30                                |
| 3.5K OPAL 45                                    |
| 4.0K  |
| 5.0K  |

### Drivers

non-dimmable power supplies:

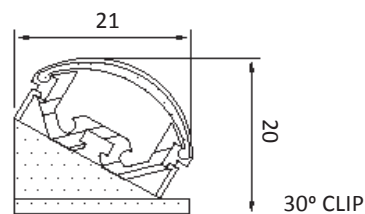
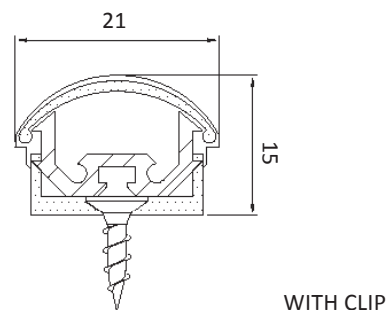
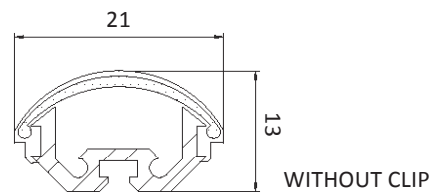
1-10V /DALI/DMX dimmable power supplies to be ordered seperately

Please call our sales team who will make sure specification suits application

Linear LED Lighting by The Light Lab



## X-Sections



## Project Example



The Light Lab  
22 Holywell Row  
London EC2A 4JB  
United Kingdom  
+44 (0) 207 278 2678  
@thelightlabtd  
www.thelightlab.com