

Product Details: LinLED-HO-OPTIC-RGBW



Specification

Length	340mm up to 1840mm in 250mm increments
Colour	White Mix or RGB
Input Voltage	24Vdc
Power Consumption	46 W/m
Luminaire Efficiency	85 lm/W for white mix
IP Rating	IP40 or IP65
Optic	20°/28°/40°/45° x18°
Diffuser	Clear or Frosted

Order code

LinLED HO OPTIC RGBW-LENGTH-COLOUR-IP-OPTIC-DIFFUSER
 e.g. LED HO OPTIC RGBW-XXmm-RGB-IP40-20-CLEAR

LENGTH	COLOUR	IP	OPTIC	DIFFUSER
XXmm	WM	IP40	20	CLEAR
	RGB	IP65	28	FROSTED
			40	
			45x18	

Drivers

non-dimmable power supplies:

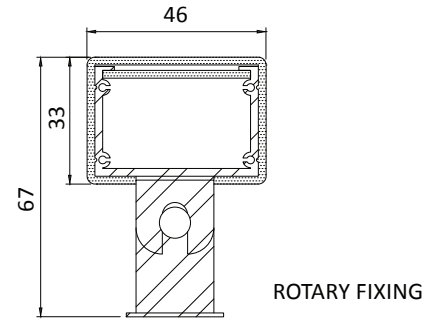
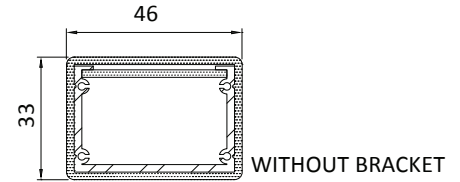
1-10V /DALI/DMX dimmable power supplies to be ordered seperately

Please call our sales team who will make sure specification suits application

Linear LED Lighting by The Light Lab



X-Sections



Project Example



The Light Lab
 22 Holywell Row
 London EC2A 4JB
 United Kingdom
 +44 (0) 207 278 2678
 @thelightlabtd
 www.thelightlab.com