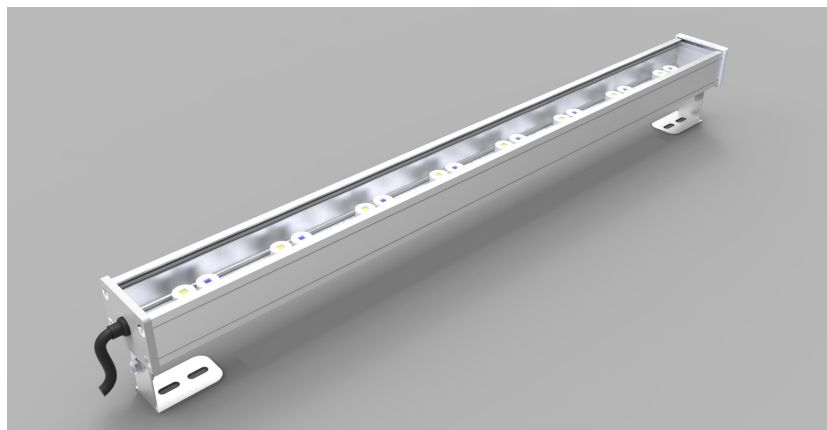


## Product Details: LinLED-HO-OPTIC-RGBW



### Specification

Length	340mm up to 250mm in 1840mm increments
Colour	White Mix or RGB
Input Voltage	24Vdc
Power Consumption	46 W/m
Luminaire Efficiency	85 lm/W for white mix
IP Rating	IP40 or IP65
Optic	20°/28°/40°/45° x18°
Diffuser	Clear or Frosted

#### Order code

LinLED HO OPTIC RGBW-LENGTH-COLOUR-IP-OPTIC-DIFFUSER  
 e.g. LED HO OPTIC RGBW-XXmm-RGB-IP40-20-CLEAR

LENGTH	COLOUR	IP	OPTIC	DIFFUSER
XXmm	WM	IP40	20	CLEAR
	RGB	IP65	28	FROSTED
			40	
			45x18	

#### Drivers

non-dimmable power supplies:

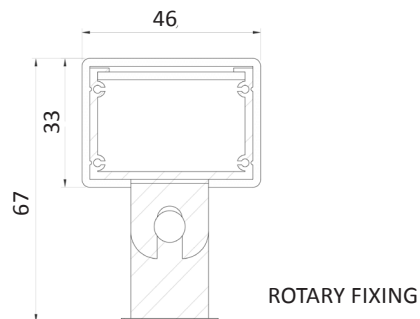
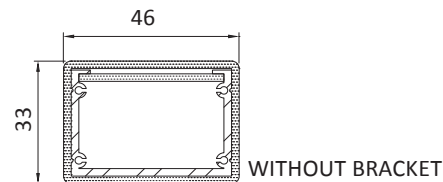
1-10V /DALI/DMX dimmable power supplies to be ordered seperately

Please call our sales team who will make sure specification suits application

Linear LED Lighting by The Light Lab



### X-Sections



### Project Example



The Light Lab  
 22 Holywell Row  
 London EC2A 4JB  
 United Kingdom  
 +44 (0) 207 278 2678  
 @thelightlabtd  
 www.thelightlab.com