

# Product Details GL50



## Specification

Output	SO	HO	SHO
Power Consumption	9.6W/m	14.4W/m	18W/m
Voltage	24VDC	24VDC	24VDC
IP Rating	IP40 or IP65	IP40 or IP65	IP40 or IP65
LED Colour <sup>1</sup>	2.7K/3.0K/4.0K/5.0K, RGBW or WWCW (White Mix 2.7K - 6.5K)		
Dimensions:	50mm		
Width	115mm to 2965mm in 50mm increments		
Length	55.7mm		
Depth <sup>2</sup>			
Mount Type <sup>3</sup>	Keyhole (KH), Magnet (MG) & Plaster-in (PL)		
Finish	Flush (F) or Proud (P)		
Control	0-10V/1-10V/DMX/DALI/SPI		

### Notes

- 1 Other colours available on request.
- 2 Depth excludes grommet, glands & cables.
- 3 Other mount types available on request.
- 4 For curved and shaped configurations, please contact the office to discuss your requirements.

### Order code

GL50-Output-IP Rating-LED Colour-Mount Type-Finish-Length-Dimming

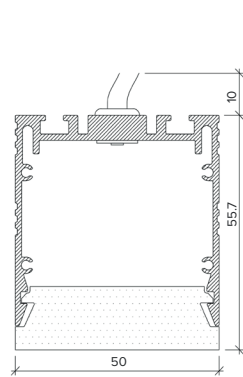
Example code: GL50-SO-IP40-3.0K-SM-F-2065-DALI

Description: Glowline 50, standard output, IP40, 24VDC constant voltage LED with 3000K colour temperature. Surface mounted with flush diffuser. Length=2065mm DALI dimmable.

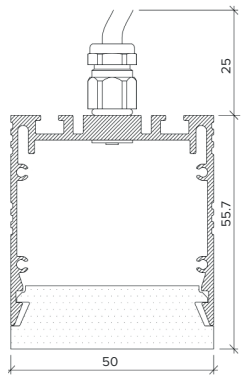


### Chassis

IP44

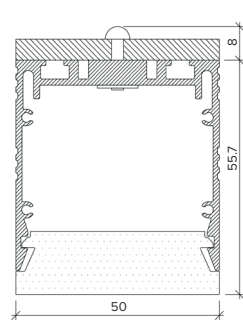


IP65

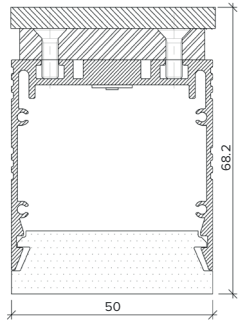


### Mount Type

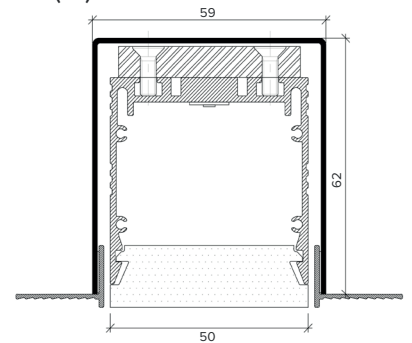
Keyhole (KH)



Magnet (MG)



### Plaster-in (PL)



the light lab  
bright ideas