



Glowrail

spec sheet

Key features

Tailored: Fully tailorable in curved/straight/angular and helical sections with even light diffusion throughout.

LED: Wide range of light outputs, colour temperatures and colours.

Control: Switched, 0-10/1-10v, DALI, DMX and SPI dimming protocols.

Material: Stainless Steel, Anodised Aluminium and Wood with various cladding options.

Aesthetic: Harmonised joins and mechanical fixing for discreet architectural integration.

Longevity: 50,000+ LED lifetime expectancy.

Sustainability: Maintainable LED modules.

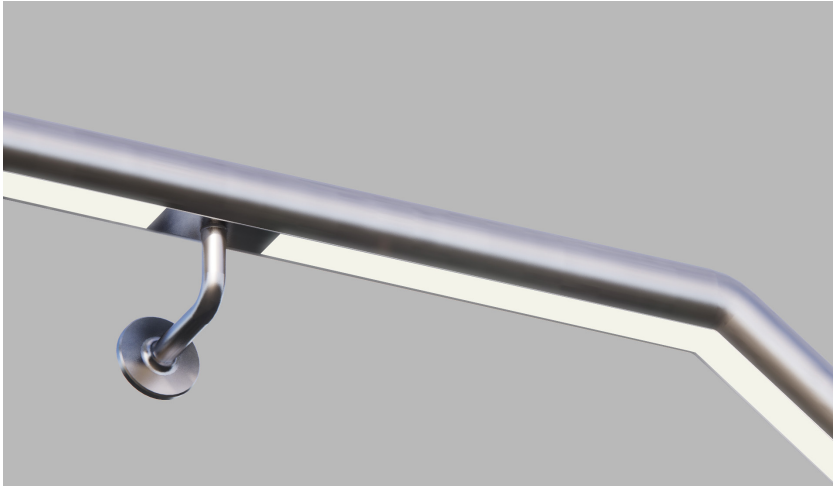
Application: Interior and exterior pathway and stair lighting.

Glowrail by The Light Lab



Glowrail

Product Details Glowrail



Specification

Output	SO	HO
Power Consumption	9.6 W/m	14.4 W/m
Efficacy	54 Lm/W	76 Lm/W
Voltage	48VDC	48VDC
IP Rating	IP40 or IP65	
LED Colour ¹	2.7K/3.0K/4.0K/5.0K, RGBW, WWCW (White Mix 2.7K - 6.5K)	
Diameter ²	See X-Section Diagram	
Mount Type	Post (PT), Bracket (BK), Balustrade (BD)	
Handrail Finish ³	Brushed S/Steel (BR) Polished S/Steel (PO) Powder-coated (PC) / Aluminium (AL) Timber (TI) / Leather Cladding (LC)	
Control	0-10V/1-10V/DMX/DALI/SPI	

Notes

- 1 Other colours available on request.
- 2 For integration into a bespoke profile, please contact the team.
- 3 Stainless Steel 304 or 316. Other finishes available on request.

Order code

GR-Diameter-IP Rating-LED Colour-Mount Type-Finish-Length-Dimming

Example: Code: GR42-SO-IP40-SS-3.0K-BK-BR-6000-DALI

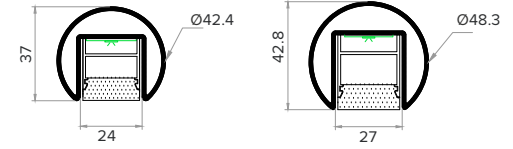
Description: Glowrail42, standard output, IP40, 48VDC constant voltage, LED with 3000K colour temperature. bracket mounted in brushed stainless steel. Length=6000mm. DALI Dimmable



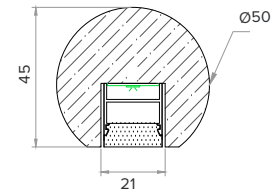
X Section

Ø42.4mm

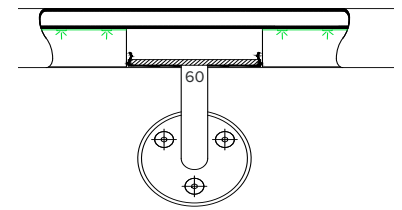
Ø48.3mm



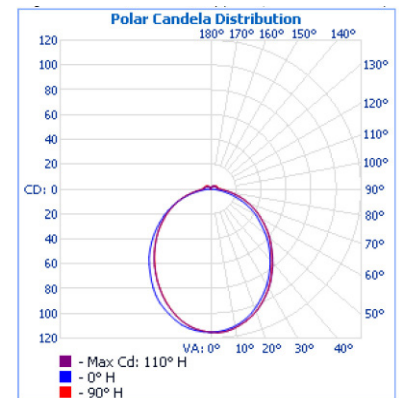
Ø50mm timber



Typical Bracket Coverplate



Photometric Info



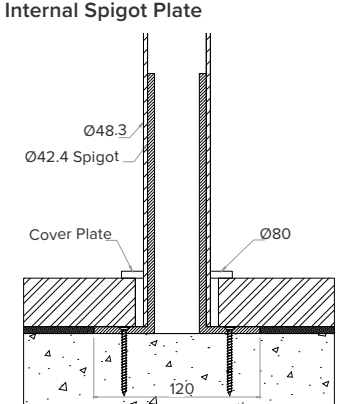
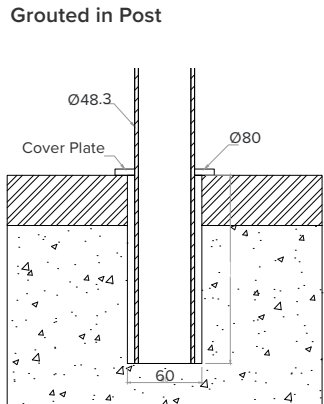
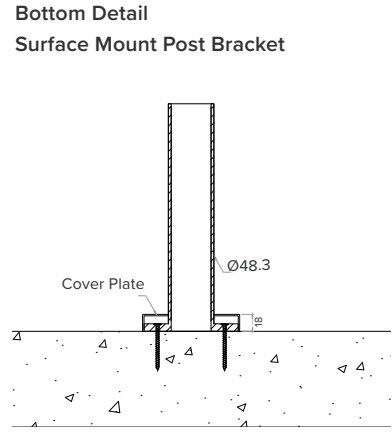
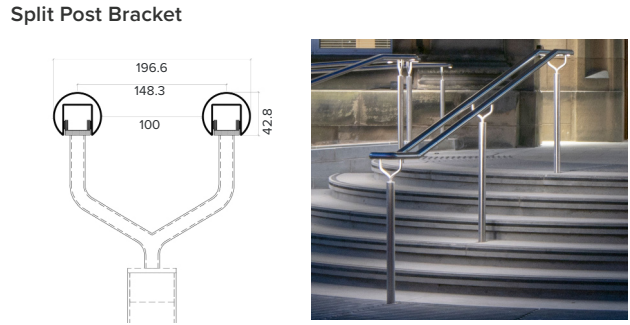
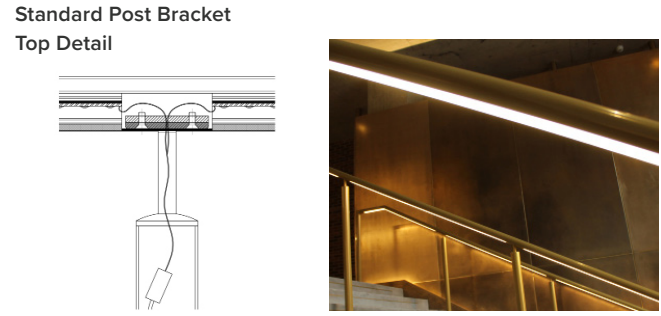
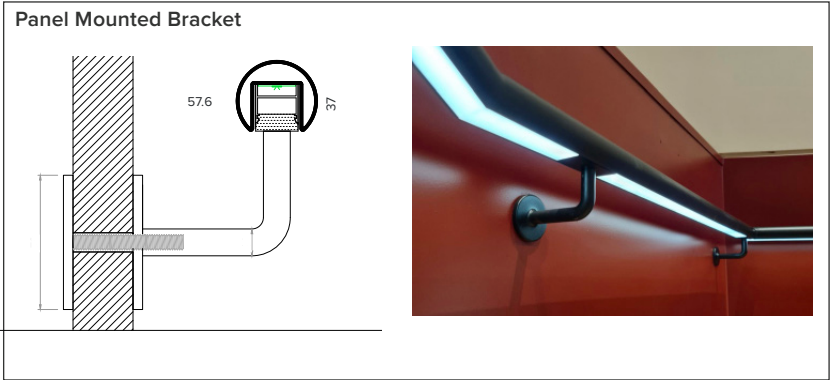
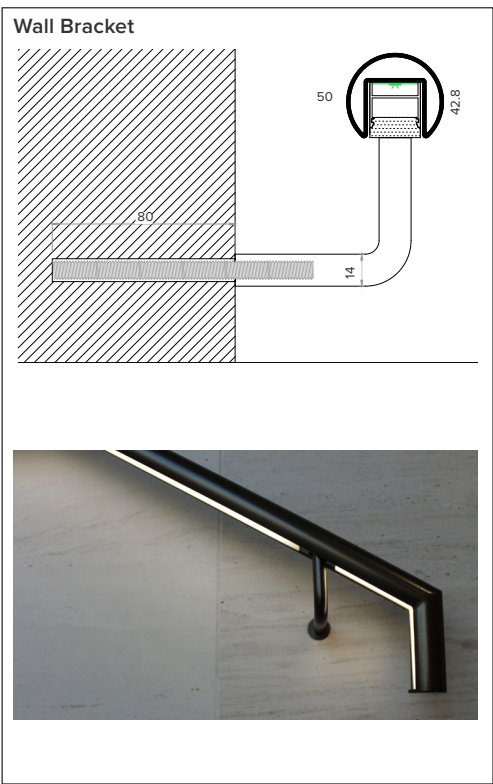
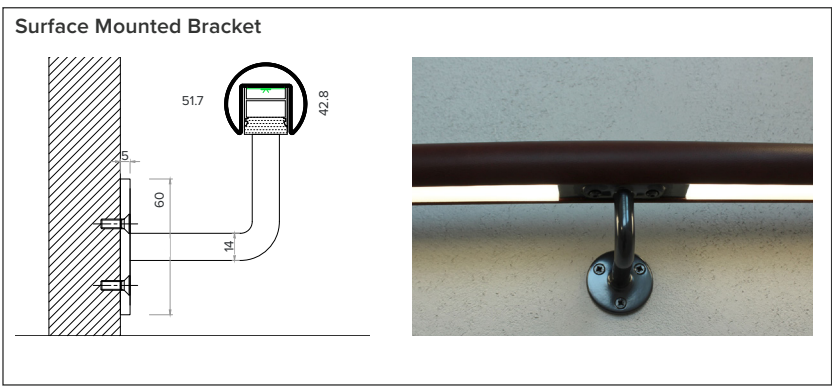
Photometric data from a GL25-HO fitting LTD & IES files available on request



The Light Lab
22 Holywell Row
London EC2A 4JB
+44 (0) 207 278 2678
@thelightlabltd
www.thelightlab.com

the light lab
bright ideas

Typical Fixing Details Glowrail



Project Images



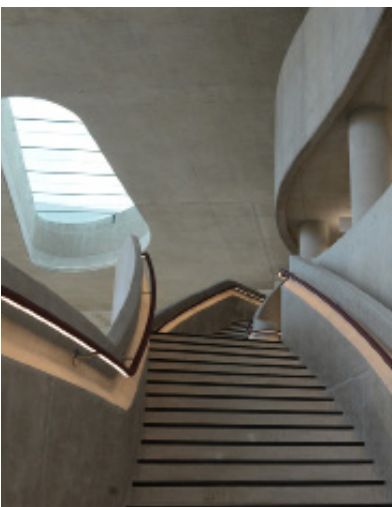
PoMo, Trondheim



London College of Fashion



University of Edinburgh



Hiscox, York



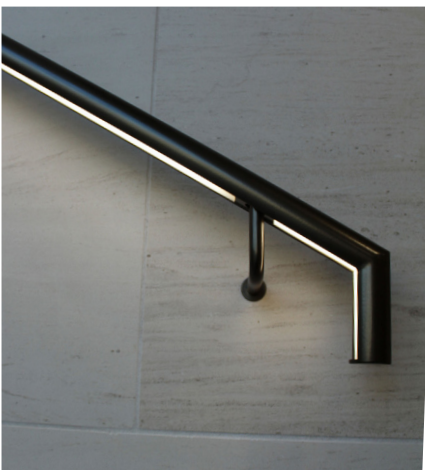
Wellington Place, Leeds



St James Quarter, Edinburgh



Purdy's Wharf, Canada



Private School, London



Shrewsbury Flaxmill