



Glowrail

spec sheet

Main Features

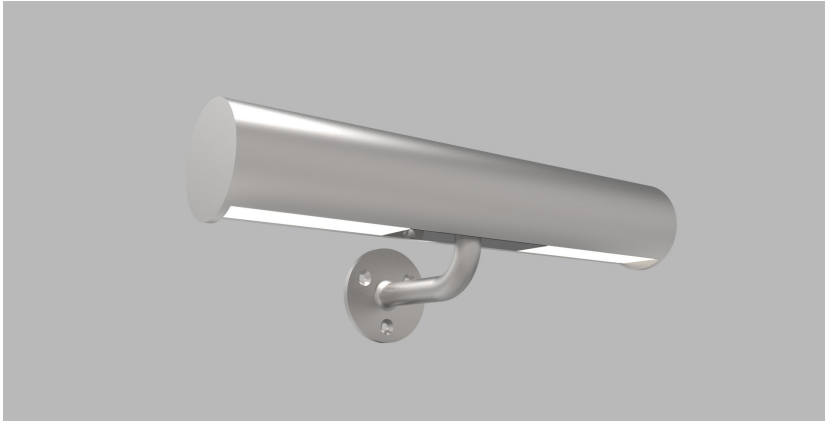
- High output LEDs with evenly diffused finish
- Brushed stainless finish - 304 or 316 grade or Anodised Aluminium
- Available in curved/straight/angular sections
- 50 000+ hr lifetime to 80% output.
- Standard, High + Super High Output versions to meet any lux requirements
- Emergency compatible with remote 3hr battery unit to full output

Glowrail by The Light Lab



Glowrail

Product Details Glowrail



Specification

	SO	HO	SHO
Diameter	48.3mm	48.3mm	48.3mm
Colours	3.0K/4.0K/5.0K	2.7K/3.0/3.5K/ 4.0K/5.0K	
Input Voltage	24Vdc	24Vdc	24Vdc
Power Consumption	9.6W/m	14W/m	18W/m
Luminaire Efficiency	56 lm/W	78 lm/W	78 lm/W
IP Rating	IP44 or IP65	IP44 or IP65	IP 44 or IP65
Emergency Compatible	Yes to Full Output	Yes to Full Output	Yes to Full Output
Fixing Type	Wall or Glass	Wall or Glass	Wall or Glass

Order code

CALL TO QUOTE PER PRODUCT APPLICATION

Drivers

non-dimmable power supplies:

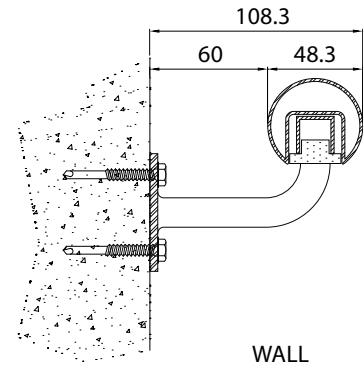
1-10V /DALI/DMX dimmable power supplies to be ordered seperately

Please call our sales team who will make sure specification suits application

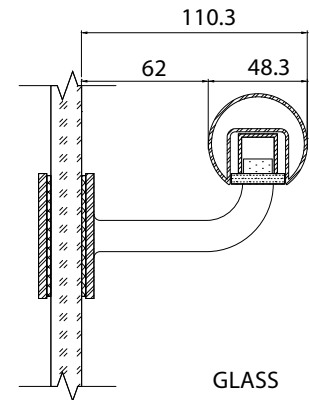
Glowrail by The Light Lab



Fixing Methods

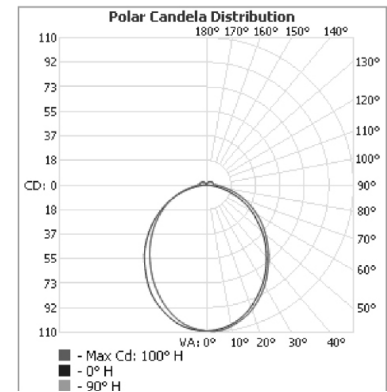


WALL



GLASS

Photometric Info



The Light Lab
22 Holywell Row
London EC2A 4JB
United Kingdom
+44 (0) 207 278 2678
@thelightlabtd
www.thelightlab.com

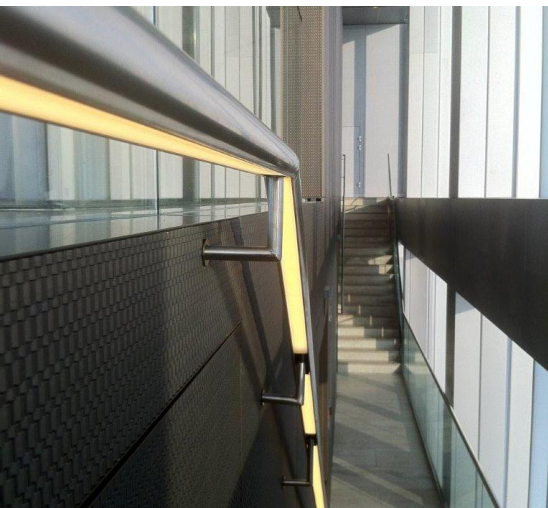
Project Images



Hiscox, York



St Paul's Girls School, London



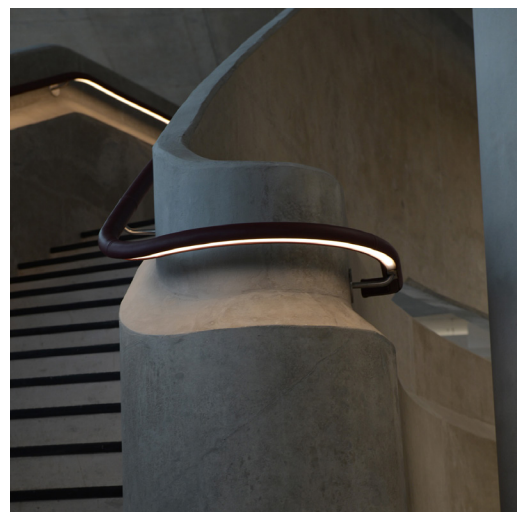
New Court, London



Canada Square Park



Liberty Specialist Markets



Hiscox, York